



INSTALLATION and SERVICE INSTRUCTIONS
USE and CARE INSTRUCTIONS

EMFPS 60 B
MULTI-FUNCTION
ELECTRONIC OVEN



distributed by
DèLonghi
Pty Ltd

Dear Customer,

Thank you for having purchased and given your preference to our product.

The safety precautions and recommendations reported below are for your own safety and that of others. They will also provide a means by which to make full use of the features offered by your appliance.

Please keep this booklet in a safe place. It may be useful in future, either to yourself or to others in the event that doubts should arise relating to its operation.

This appliance must be used only for the task it has explicitly been designed for, that is for cooking foodstuffs. Any other form of usage is to be considered as inappropriate and therefore dangerous.

The manufacturer declines all responsibility in the event of damage caused by improper, incorrect or illogical use of the appliance or by faulty installation.

PRODUCT LABEL



CONTENTS

Precautions and recommendations	4
Installation.....	6
Use and care.....	12
Multifunction oven.....	14
Using the oven - electronic programmer.....	16
Using the oven - cooking functions	28
Cleaning and maintenance	36

This oven has been designed and constructed in accordance with the following codes and specifications:

- | | |
|-----------------|--|
| AS/NZS 3350-1 | General Requirements for Domestic electrical appliances |
| AS/NSZ 3350-2-6 | Particular Requirements for Domestic electrical cooking appliances |
| AS/NSZ 1044 | Electromagnetic Compatibility Requirements. |
-

IMPORTANT PRECAUTIONS AND RECOMMENDATIONS FOR USE OF ELECTRICAL APPLIANCES

Use of any electrical appliance implies the necessity to follow a series of fundamental rules. In particular:

- Never touch the appliance with wet hands or feet;
- Do not operate the appliance barefooted;
- The appliance is not intended for use by young children or infirm persons with supervision
- Young children should be supervised to ensure they do not play with the appliance

The manufacturer cannot be held responsible for any damages caused by improper, incorrect or illogical use of the appliance.



IMPORTANT PRECAUTIONS AND RECOMMENDATIONS

After having unpacked the appliance, check to ensure that it is not damaged. In case of doubt, do not use it and consult your supplier or a professionally qualified technician.

Packing elements (i.e. plastic bags, polystyrene foam, nails, packing straps, etc.) should not be left around within easy reach of children, as these may cause serious injuries.

- Do not attempt to modify the technical characteristics of the appliance as this may become dangerous to use.
- Do not carry out cleaning or maintenance operations on the appliance without having previously disconnected it from the electric power supply.
- After use, ensure that the oven is in the off position.
- The appliance is not intended for use by young children or infirm persons without supervision.
- Young children should be supervised to ensure that they do not play with the appliance.
- Do not allow children or other incapable people to use the appliance without supervision.
- During use the appliance becomes hot. Care should be taken to avoid touching heating elements inside the oven.
- Keep children away from the oven when it is in use.
- Some appliances are supplied with a protective film on steel and aluminium parts. This film must be removed before using the appliance.
- Fire risk! Do not store flammable material in the oven.
- Make sure that electrical cables connecting other appliances in the proximity of the oven become entrapped in the oven door.
- Do not line the oven walls with aluminium foil. Do not place baking trays or the drip tray on the base of the oven chamber.
- The manufacturer declines all liability for injury to persons or damage to property caused by incorrect or improper use of the appliance.

- **WARNING: Taking care NOT to lift the oven by the door handle.**
- **IMPORTANT NOTE: This appliance shall not be used as a space heater, especially if installed in marine craft or caravans.**

CAUTION:

- This appliance must be installed in accordance with these installation instructions.
- This appliance shall only be serviced by authorized personnel.
- This appliance is to be installed only by an authorised person.
- Incorrect installation, for which the manufacturer accepts no responsibility, may cause personal injury or damage.
- Always disconnect the oven from mains power supply before carrying out any maintenance operations or repairs.

ELECTRICAL REQUIREMENTS

- The oven is supplied without a power supply plug and therefore if you are not connecting directly to the mains, a standardized plug suitable for the load must be fitted.
- Connection to the mains must be carried out by qualified personnel in accordance with current regulations.
- The appliance must be connected to the mains checking that the voltage corresponds to the value given in the rating plate and that the electrical cable sections can withstand the load specified on the plate.
- The plug must be connected to an earthed socket in compliance with safety standards.
- The appliance must be connected directly to the mains placing a two pole switch with minimum opening between the contacts of 3 mm between the appliance and the mains.
- The power supply cable must not touch the hot parts and must be positioned so that it does not exceed 75°C at any point.
- Once the appliance has been installed, the switch or socket must always be accessible.
- **If the supply cord is damaged it must be replaced by the manufacturer or its Service Agent or a similarly qualified person in order to avoid a hazard.**

- N.B.**
- **The connection of the appliance to earth is mandatory.**
 - **For connection to the mains, do not use adapters, reducers or branching devices as they can cause overheating and burning.**

If the installation requires alterations to the domestic electrical system call a qualified electrician. He should also check that the socket cable section is suitable for the power drawn by the appliance.

REPAIRS

REPLACING THE POWER SUPPLY CABLE

- Unhook the terminal board cover by inserting a screwdriver into the two hooks "A" (fig. 1.2).
- Open the cable gland by unscrewing screw "F" (fig. 1.3), unscrew the terminal screws and remove the cable.
- The new supply cable, of suitable type and section, is connected to the terminal board following the diagram fig. 1.1.

FEEDER CABLE SECTION TYPE HO5RR-F

230-240 V ~

3 x 1,5 mm²

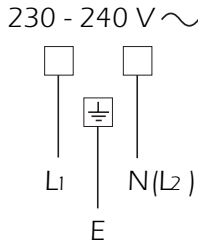
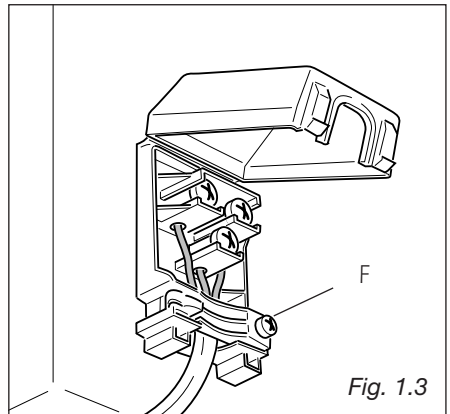
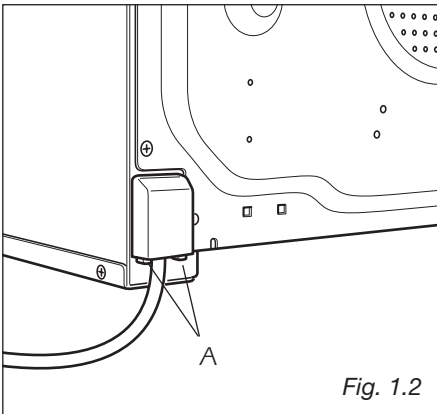


Fig. 1.1



ELECTRIC DIAGRAM

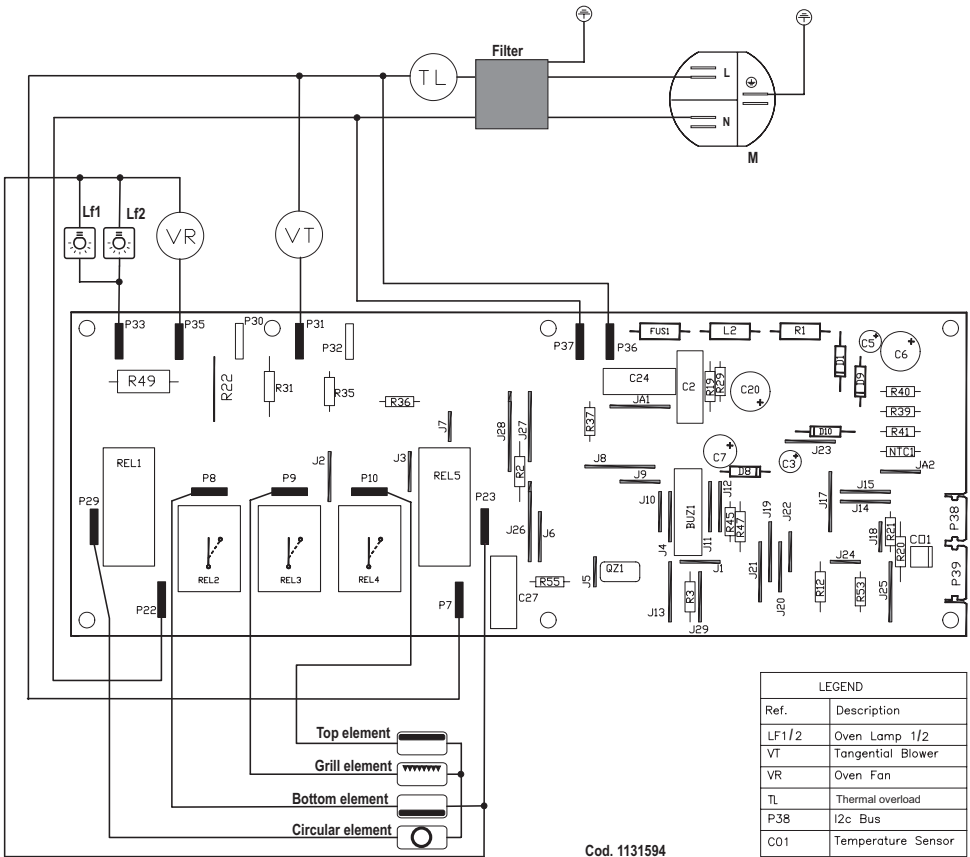


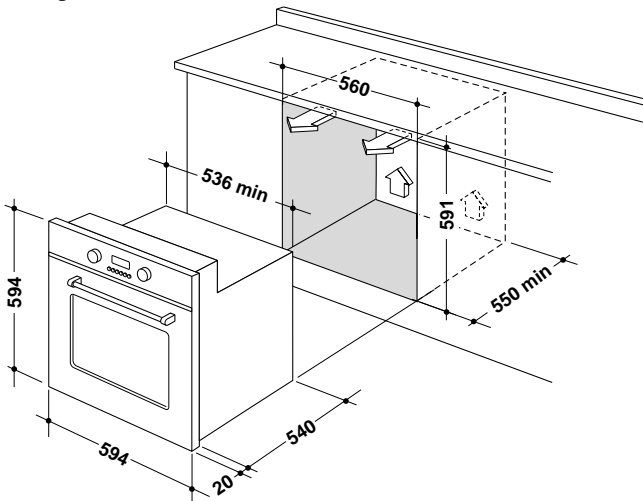
Fig. 1.4

FITTING REQUIREMENTS

WARNING: Taking care **NOT** to lift the oven by the door handle.

The oven must be built-in in a standard module of furniture of 60 cm width and depth. It is to be fit up in a module having the clearance as shown in the pictures. On the lower side, the oven must lay on supports standing the oven weight. The ovens are secured by four screws that pass through the surround. They must locate firmly and squarely in the edges of the cabinet or add panels to achieve a secure location.

Fig. 1.5



The walls surrounding the oven must be made of heat-resistant material. Both the veneered plastic and the adhesive used must be resistant to temperatures of 120°C in order to prevent unsticking and deformation.

FITTING THE OVEN INTO A BASE

The space available should be of the dimensions shown in the figure 1.5. Arrangements should be made for an adequate supply of the air to the oven to avoid overheating (fig. 1.6).

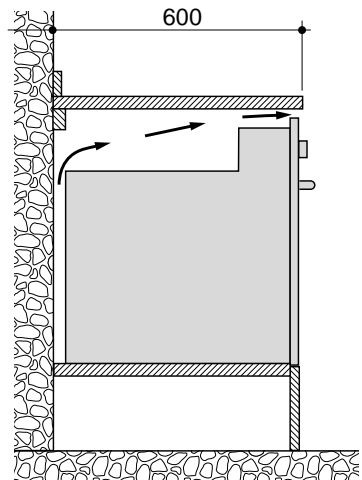
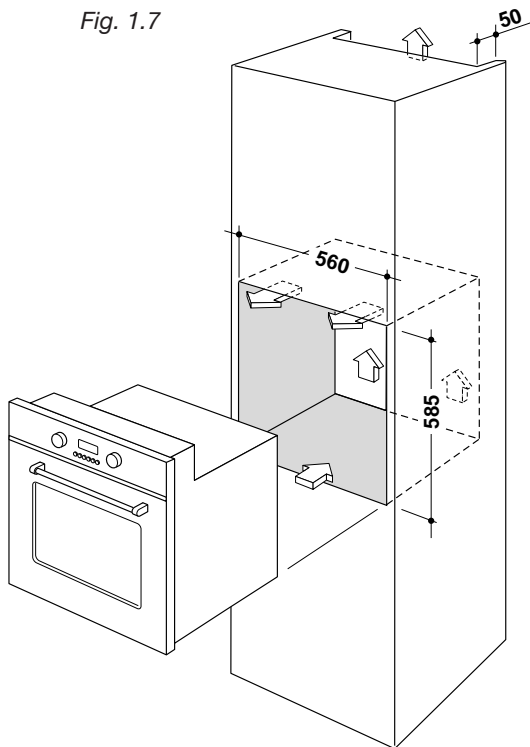


Fig. 1.6

Fig. 1.7



WARNING

When correctly installed, your product meets all safety requirements laid down for this type of product category. However special care should be taken around the rear or the underneath of the appliance as these areas are not designed or intended to be touched and may contain sharp or rough edges, that may cause injury.

FITTING THE OVEN INTO A COLUMN

The cabinet should have the dimensions as per fig. 1.7.

Furthermore it is necessary that the oven is provided with a chimney as per fig. 1.8.

If the column unit reaches the ceiling an outlet must be provided through which air can flow to the outside

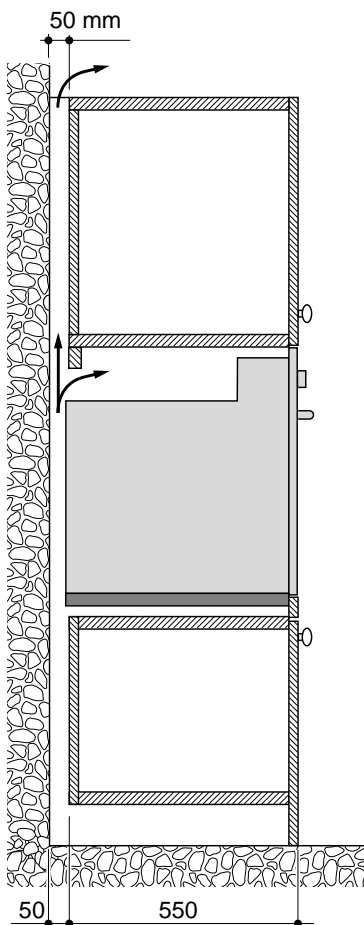


Fig. 1.8

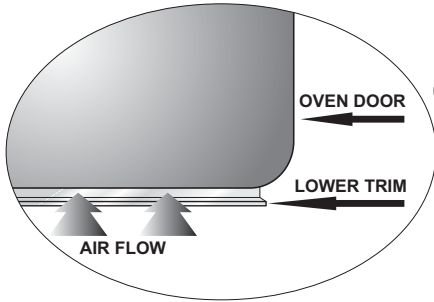
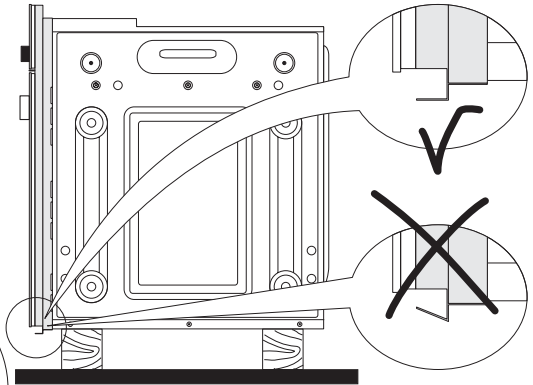
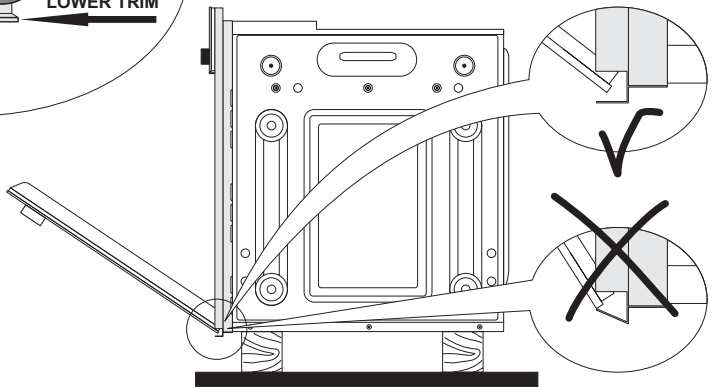


Fig. 1.9



IMPORTANT:

Please take extra care not to damage the lower trim of the oven.

Ensure the oven sits on wooden blocks or similar supports when it is removed from the carton as shown in above diagram. This will prevent any damage to the lower trim.

Should the lower trim become damaged, straighten the trim and ensure the oven door opens fully without obstruction from the lower trim.

After installation check the lower trim is still undamaged.

The space between the bottom of the door & the lower trim is important to allow proper air circulation into the oven.

The oven door should be opened slowly to it's fully open position ensuring there is adequate clearance between the bottom of the door and the lower trim.

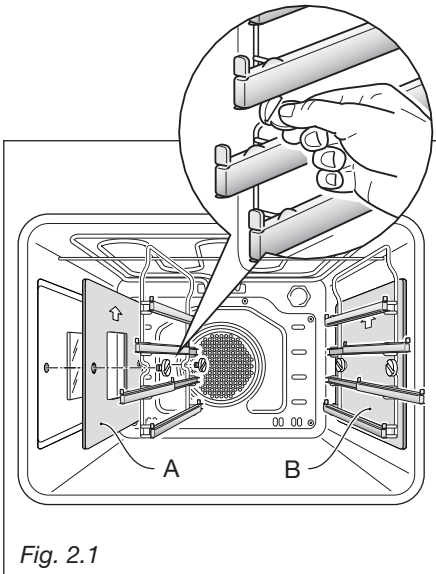
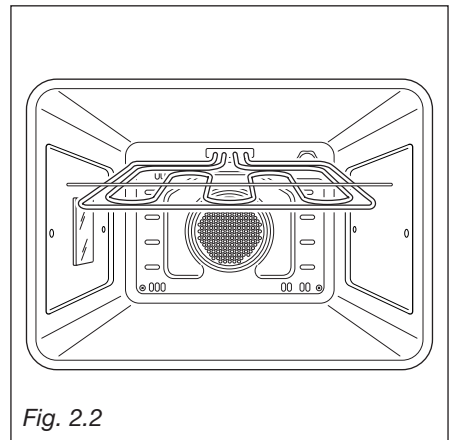
The manufacturer does not accept responsibility for any damage to the oven resulting from incorrect installation.

CAUTION:




- This appliance must be used only for the task it has explicitly been designed for, that is for domestic cooking of foodstuffs. Any other form of usage is to be considered as inappropriate and therefore dangerous.
- Do NOT place combustible materials or products on this appliance at any time.

SLIDING SHELVES

- They facilitate the insertion and removal of shelves during cooking. These shelves support all accessory trays and are dishwasher safe.
- The shelves stop when pulled out to the maximum position.
- The sliding shelves and the catalytic panels can be removed easily by unscrewing the fixing screws and detaching them from the oven walls.
- Removing the sliding shelves improves access to the oven ceiling for cleaning (after the grill heating element has been lowered).

*Fig. 2.1**Fig. 2.2*

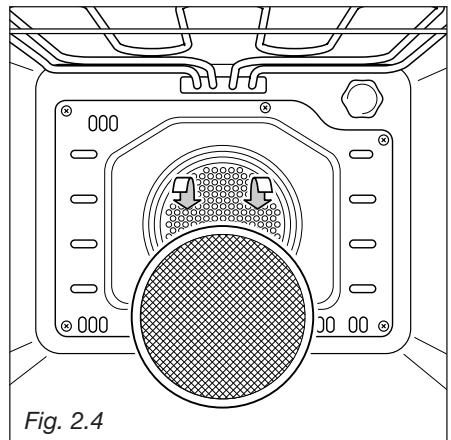
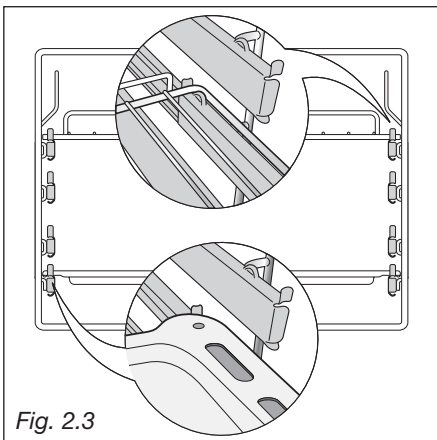
USING THE OVEN FOR THE FIRST TIME

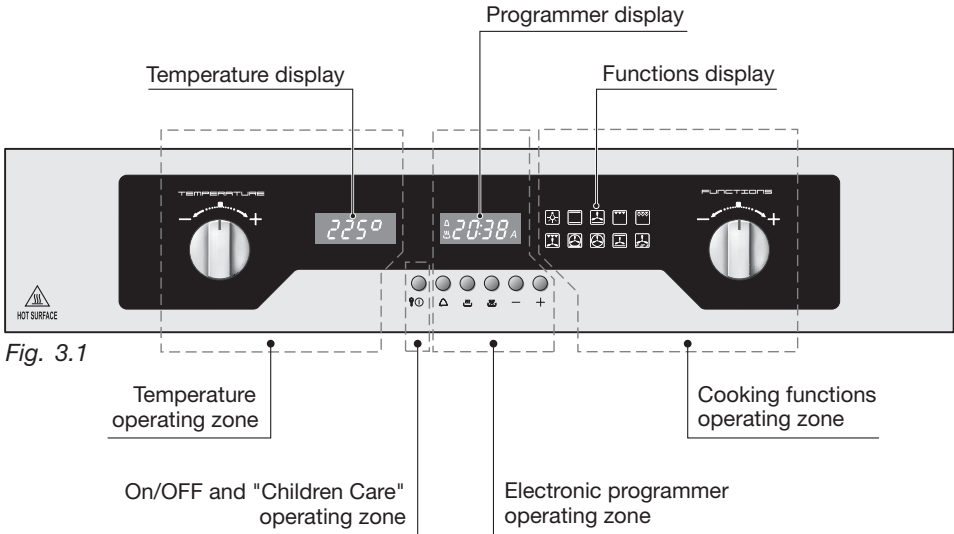
- Slide off the sliding shelves and the catalytic panels to the oven walls as in Fig. 2.1. The grill is secured to the rear wall of the oven on a hinge system that allows it to be lowered to allow proper access when cleaning the oven ceiling (fig. 2.2).
- Clean the inside of the oven with a cloth soaked in water and neutral detergent and dry thoroughly.
- Assemble the sliding shelves on the oven walls using the 2 screws and interposing the catalytic panels **A** and **B** with the arrow up (fig. 2.1). The catalytic panel **A** with the hole for the side oven lamp must be positioned on the left oven wall. **DO NOT INTERPOSE THE CATALYTIC PANEL B ON THE LEFT OVEN WALL.**
- Slide in the grease filter on the back of the oven as in Fig. 2.4.
- Position the shelf and tray on the sliding shelves (fig. 2.3).
- To eliminate traces of grease in manufacture it is necessary to pre-heat the oven at the maximum temperature:
 - For 60 minutes in the  position, for 30 minutes in the  position and for another 15 minutes in the  position.

GREASE FILTER

- A special screen is provided at the back of the oven to catch grease particles, mainly when meat is being roasted.
- Clean the filter after any cooking! The grease filter can be removed for cleaning and should be washed regularly in hot soapy water (fig. 2.4).
- Always dry the filter properly before fitting it back into the oven.

CAUTION: When baking pastry etc. this filter should be removed.





GENERAL FEATURES

This oven has special operating features.

9 different functions can be used to satisfy all cooking needs.

The 9 positions, controlled by the electronic programmer and a temperature probe, are obtained by 4 heating elements which are:

- | | |
|----------------------------|--------|
| ■ Lower heating element | 1300 W |
| ■ Upper heating element | 1000 W |
| ■ Grill heating element | 2000 W |
| ■ Circular heating element | 2200 W |



OPERATING PRINCIPLES

Heating and cooking in the FULL ELECTRONIC MULTIFUNCTION oven are obtained in the following ways:

■ **by normal convection**

The heat is produced by the upper and lower heating elements.

■ **by semi-forced convection from the bottom**

The heat produced by the lower heating element is distributed throughout the oven by the fan.

■ **by forced convection**

A fan sucks in the air contained in the oven, which is circulated through the circular heating element and then forced back into the oven by the fan.

Before the hot air is sucked back again by the fan to repeat the described cycle, it envelops the food in the oven, provoking a complete and rapid cooking. It is possible to cook several dishes simultaneously.

■ **by semi-forced convection from the bottom and back**

The heat produced by the lower and circular heating elements is distributed throughout the oven by the fan.

■ **by semi-forced convection**

The heat produced by the upper and lower heating elements is distributed throughout the oven by the fan.

■ **by double radiation**

The heat is radiated by the infra red grill and the top heating elements.

■ **by radiation**

The heat is radiated by the infra red grill element.

■ **by radiation and ventilation**

The radiated heat from the infra red grill element is distributed throughout the oven by the fan.

■ **by ventilation**

The food is defrosted by using the fan and the bottom heating element (“*dEF*” mode). By setting the temperature to higher values (from 40 to 100°C max) it is possible to use this mode as a food warmer.

During use the appliance becomes hot. Care should be taken to avoid touching heating elements inside the oven.

**Attention: the oven door becomes very hot during operation.
Keep children away.**



SYMBOL

Lit = minute minder in operation
Flashing = countdown completed by the minute minder

12:38

DIGITS

Normally time of the day



SYMBOL

Lit = operation of heating elements (cooking functions)
Flashing = semi-automatic or automatic cooking completed



SYMBOL

Lit = semi-automatic or automatic cooking programmed
Flashing = semi-automatic or automatic cooking completed

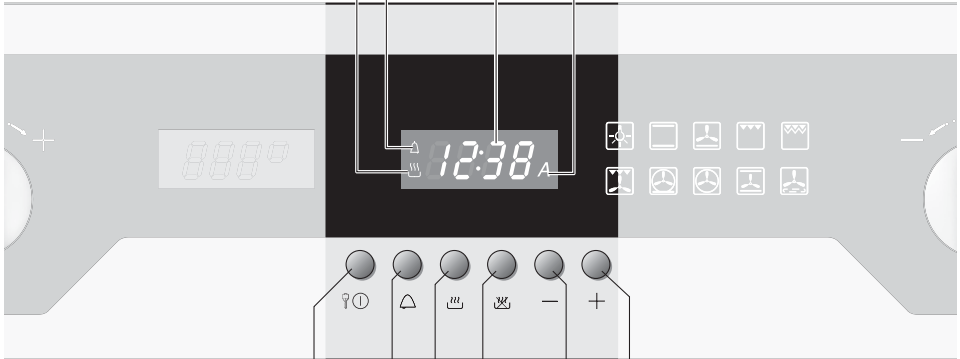


Fig. 4.1



SYMBOL

ON/OFF or
 "Children Care" selection



SYMBOL

Minute minder selection



SYMBOL

Cooking time selection



SYMBOL

To increase the numbers
 on the programmer display



SYMBOL

To decrease the numbers
 on the programmer display



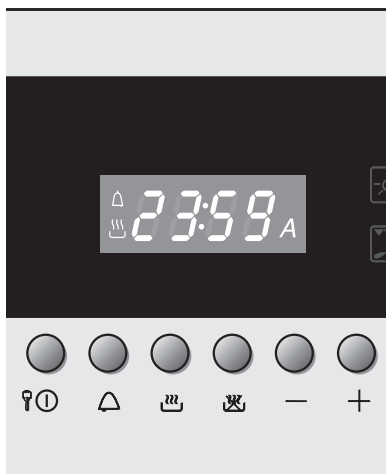
SYMBOL

End cooking time selection

ELECTRONIC PROGRAMMER FEATURES

The electronic programmer performs the following functions:

- 24 hours clock with illuminated display.
- Timer (up to 23 hours and 59 minutes).
- Program for semi-automatic oven cooking.
- Program for automatic oven cooking.
- Automatic switch off (after 10 hours when using the oven in manual operation).
- "Children Care" safety selection (deactivation of the programmer selection).
- Confirmation by three acoustic signals of last setting performed (excluding oven programmer activation).



IMPORTANT NOTE:

The first time the oven is used or after a black-out three zeroes "0:00" will appear on the programmer display.

Before using the oven set the time of the day.

WARNING:

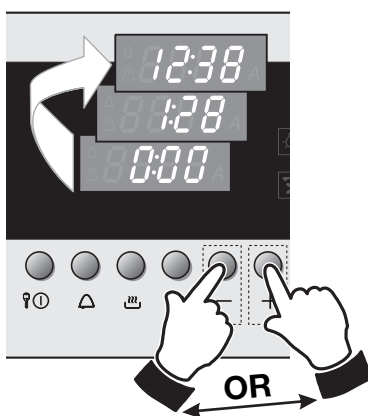
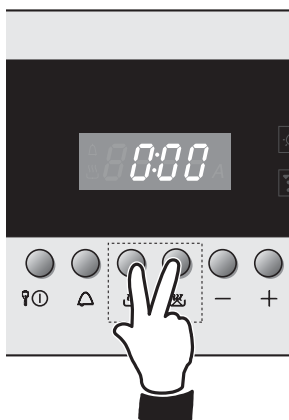
After any programmer setting, wait for the three acoustic signals of confirmation before proceeding with a new selection.

SETTING TIME OF DAY

The programmer is provided with an electronic clock with luminous figures showing the hour and minutes.


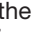
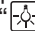
To set the time, press the two buttons "⌚" "⌚" simultaneously and with ":" symbol flashing on the programmer display, press the button "+" or "-" to increase or decrease the digits.

VERY IMPORTANT NOTE: Setting the clock will zero any programmes in progress and the setted cooking function starts to operate immediately.




OVEN PROGRAMMER ACTIVATION / DEACTIVATION (ON / OFF)

To activate the oven programmer:

- Press the button “”; **On** appears for 2 seconds on the programmer display and the oven lamp lights (symbol “”) illuminated on the functions display). Then the time of the day appears.
- The oven is ready to be operated.
- If the oven is not operated within 3 minutes the oven programmer is automatically deactivated (“stand-by” condition); the oven light and “” symbol switch off and “**OFF**” appears, for some seconds, on the programmer display. Then the time of the day appears.

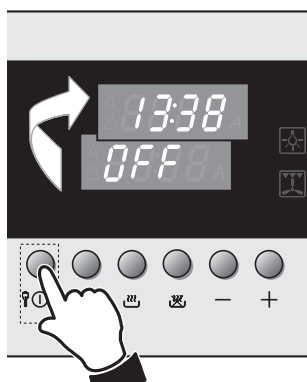
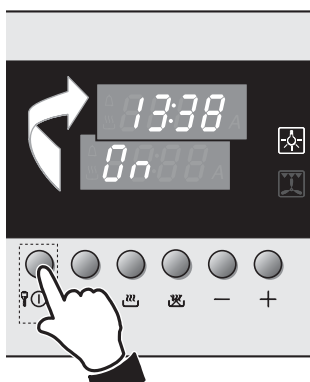
To deactivate the oven programmer:

- Press the button “”; **OFF** appears, for some seconds, on the display. The oven is turned off (“stand-by” condition) and appears the time of the day on the programmer display.

WARNING - IMPORTANT NOTE

Do not deactivate the oven programmer with an automatic or semi-automatic cooking programmed: this operation will cancel the programmed cooking.

Only the minute minder operates in the “stand-by” condition.



"CHILDREN CARE" SAFETY SELECTION

By pressing the button "🔒⌚" for about 5 seconds it is possible to activate the "Children Care" option.

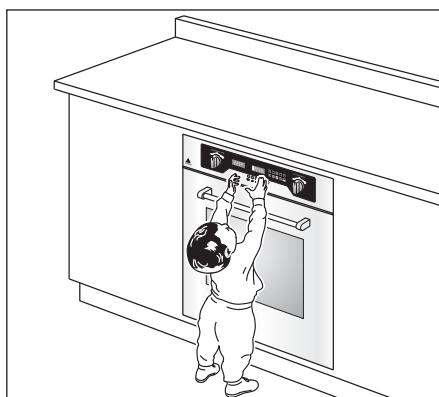
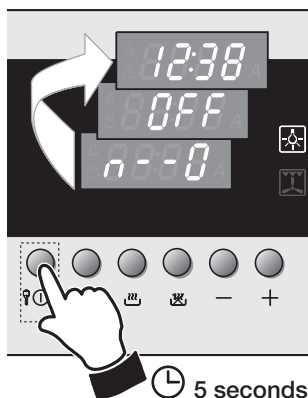
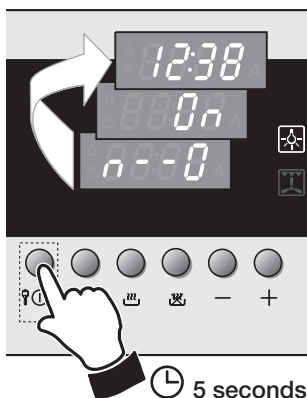
The display shows "n--0", On and then the time appears again.

When the "Children Care" option has been selected it is possible only to turn off the oven (stand-by mode), operate the minute minder and check the cooking time or the end of the cooking time.

In this setting it is not possible to change the oven cooking program (cooking function, temperature) and the time selected for a semi-automatic or automatic cooking: if pressing the relative button "n--0" appears on central or left temperature display.

To deactivate the "Children Care" option press the button "🔒⌚" for about 5 seconds. The display shows "n--0", OFF and then the time of the day appears again.








IMPORTANT: If the oven has been switched off (stand-by mode) with the "Children Care" option selected it is possible to turn on the oven only after having deactivated the "Children Care".



MINUTE MINDER

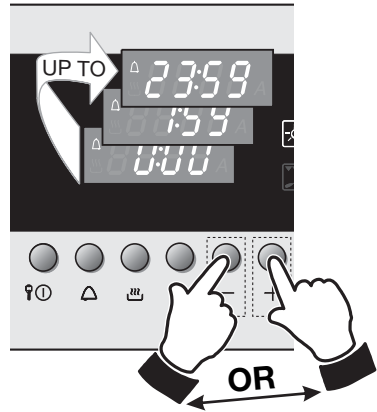
The minute minder consists simply of an acoustic signal which can be set for a maximum of 23 hours and 59 minutes.

The minute counter, at the end of countdown, does not stop the operation of the oven (heating elements stay on). Remember to turn off the oven manually.

- Press button “”. The “” symbol lights and “.” symbol flashes on the programmer display.
- Press button “” or “” to set the time required.
- The countdown starts immediately and after about 5 seconds the time of the day appears again on the display.
- To check the countdown press button “”; the time is indicated (for some seconds) in hours and minutes.
- At the end of the countdown an intermittent acoustic signal sounds and the “” symbol flashes on the programmer display. Press any pushbutton of the programmer (not “”) ON/OFF) to stop the intermittent acoustic signal.

NOTE:

The minute minder operates also if the oven, after selection, is turned OFF (stand-by). The minute minder can also be set in the "stand-by" condition (OFF).



MANUAL USE OF THE OVEN


Activate the oven programmer as indicated in the “OVEN PROGRAMMER ACTIVATION/DEACTIVATION (ON/OFF)” chapter.

If “**A**” symbol is shown on the programmer display (semi-automatic or automatic cooking selected) the programmed cooking time shall be cancelled as indicated in the “CANCELLING A SET PROGRAMME” chapter.

Operate the oven manually by selecting the oven function and temperature as indicated in the “USING THE OVEN - COOKING FUNCTIONS” chapter.

After about 4 seconds from the last selection the oven starts to operate.



The “” symbol appears on the programmer display.

The “ ° ” (Celsius degrees) symbol appears on the temperature display indicating that the heating elements are operating. If flashing this indicates that the oven is preheating. To turn off the oven press the “①” symbol.

IMPORTANT:

The oven operates in the manual use for maximum 10 hours. After 10 hours it switches off automatically.

CANCELLING A SET PROGRAMME

To cancel a set programme (“**A**” symbol activated on the programmer display) press the two buttons “ ” simultaneously.

IMPORTANT:

If the oven is on, remember to switch it off manually otherwise it does not stop operating in the set mode.

IMPORTANT:

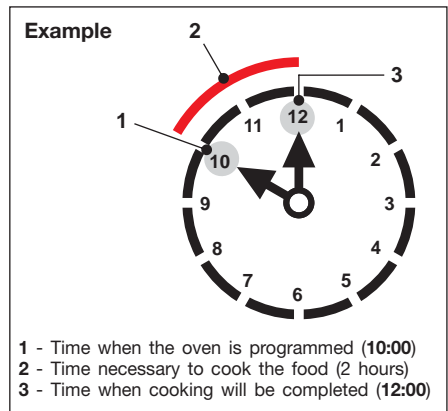
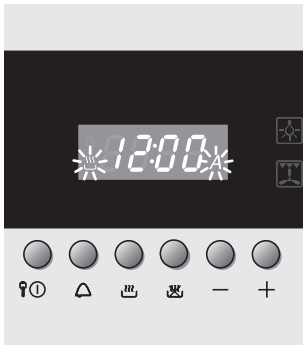
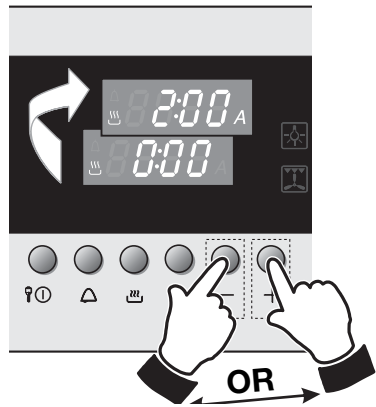
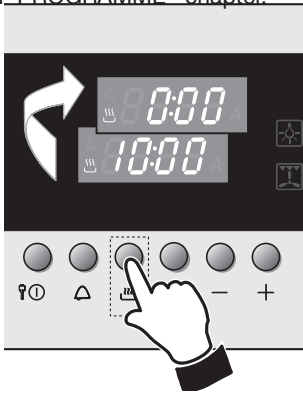
A set programme is also cancelled when the oven is switched OFF in the “stand-by” condition. At the next power up the oven is not programmed.

SEMI-AUTOMATIC COOKING - ONLY END OF COOKING

This automatically switches off the oven after the required cooking time.
Two methods of semi-automatic cooking are available:

1ST METHOD: Programming the duration of the cooking

- Set the oven (function and temperature) as indicated in the "USING THE OVEN - COOKING FUNCTIONS" chapter.
- Set the duration of the cooking ("hh:mm" - hours and minutes) by pressing button "⏸" (":" symbol flashes on the programmer display) and then button "+" to move forward or "-" to move back if you have gone beyond the required time. Set it to ten minutes less than the time required because the stored heat will complete the cooking.
- "A" letter and "⏸" symbol appear on the programmer display; the oven starts to operate immediately and it will switch off automatically at the end of the cooking time (an intermittent acoustic signal sounds, the "A" letter and "⏸" symbol flash on the programmer display and the oven lamp is lit - press any pushbutton of the programmer [not ON/OFF] to stop the intermittent acoustic signal).
- During cooking press button "⏸" (press two times if the oven lamp is not lit - first press lights only oven lamp) to display the remaining duration of the cooking (countdown).
- During cooking press button "⏸" (press two times if the oven lamp is not lit - first press lights only oven lamp) to display the time when cooking will be completed.
- The cooking program can be cancelled at any time as indicated in the "CANCELLING A SET PROGRAMME" chapter.

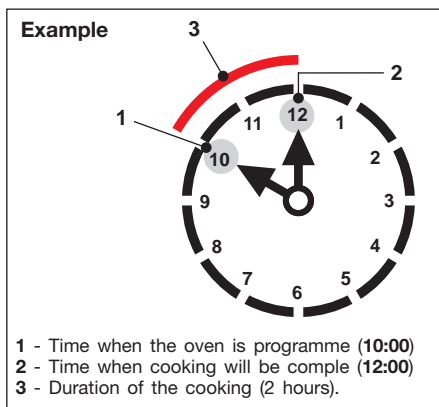
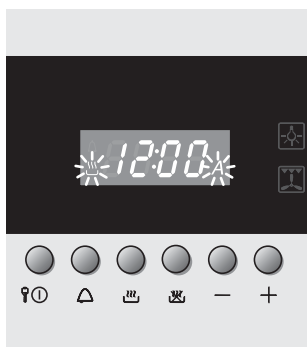
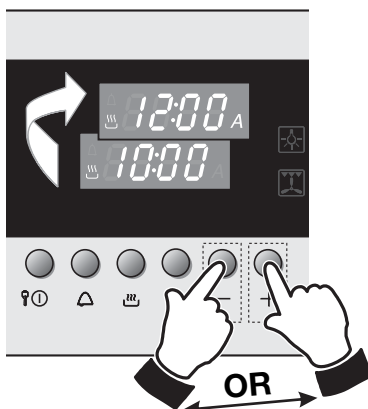
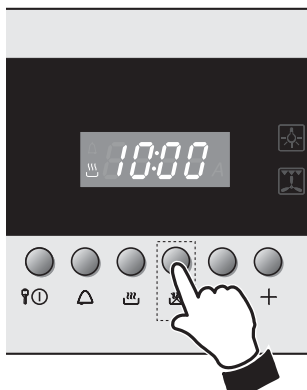


CAUTION: after a black-out three zeroes "0:00" appear on the display.

22 The semi-automatic cooking is cancelled.

2ND METHOD: Programming the time when cooking will be completed.

- Set the oven (function and temperature) as indicated in the “USING THE OVEN - COOKING FUNCTIONS” chapter.
- Set the time when cooking will be completed (“hh:mm” - hours and minutes) by pressing button “⌘” (“:” symbol flashes on the programmer display) and then button “⊕” to move forward or “⊖” to move back if you have gone beyond the required time. Set it to ten minutes less than the time required because the stored heat will complete the cooking.
- “A” letter and “⌘” symbol appear on the programmer display; the oven starts to operate immediately and it will switch off automatically at the end of the cooking time (an intermittent acoustic signal sounds, the “A” letter and “⌘” symbol flash on the programmer display and the oven lamp is lit - press any pushbutton of the programmer [not ON/OFF] to stop the intermittent acoustic signal).
- During cooking press button “⌘” (press two times if the oven lamp is not lit - first press lights only oven lamp) to display the time when cooking will be completed.
- During cooking press button “⌘” (press two times if the oven lamp is not lit - first press lights only oven lamp) to display the remaining duration of the cooking (countdown).
- The cooking program can be cancelled at any time as indicated in the "CANCELLING A SET PROGRAMME" chapter.



CAUTION: after a black-out three zeroes "0:00" appear on the display.
 The semi-automatic cooking is cancelled.

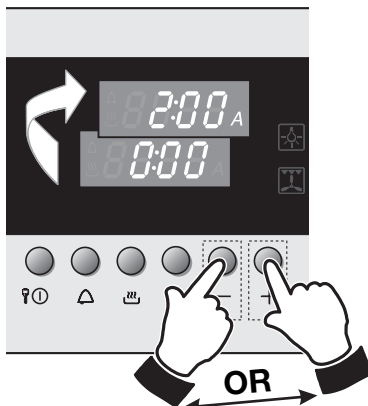
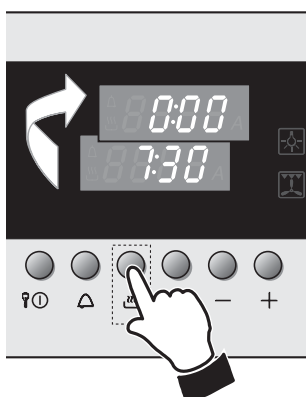
AUTOMATIC COOKING - START AND END OF COOKING

This automatically switches on the oven and switches it off at the required time. To cook the food in the automatic mode follow these instructions:

1. Set the duration of the cooking

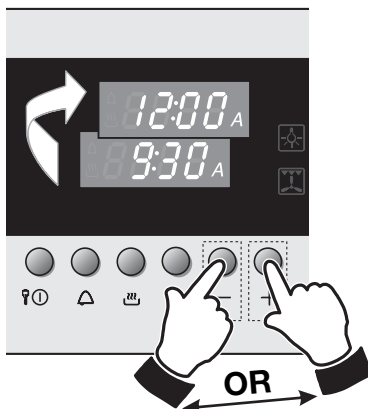
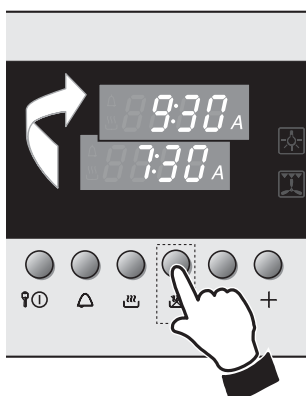
Set it (“hh:mm” - hours and minutes) by pressing button “⌚” (“:” symbol flashes on the programmer display) and then button “+” to move forward or “-” to move back if you have gone beyond the required time.

Set it to ten minutes less than the time required because the stored heat will complete the cooking. “A” letter symbol appears on the programmer display.



2. Set the time when cooking has to be completed.

Set it (“hh:mm” - hours and minutes) by pressing button “⌚” (“:” symbol flashes on the programmer display) and then button “+” to move forward or “-” to move back if you have gone beyond the required time. Attention: the time when cooking has to be completed cannot be lower than time of the day plus duration of the cooking.



3. Set the cooking temperature and function

Operate as indicated in the "USING THE OVEN - COOKING FUNCTIONS" chapter.

The oven starts to operate for the programmed cooking time considering the time for which the food has to be cooked.

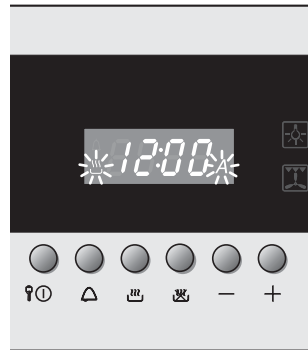
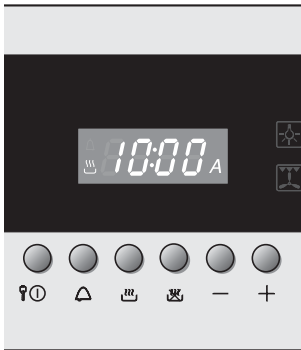
"A" letter is lit on the programmer display and "☀" symbol appears on the programmer display when the oven starts to operate.

At the end of the automatic cooking an intermittent acoustic signal sounds and the "A" letter and "☀" symbol flash on the programmer display; press any button of the programmer [not ON/OFF] to stop the intermittent acoustic signal.

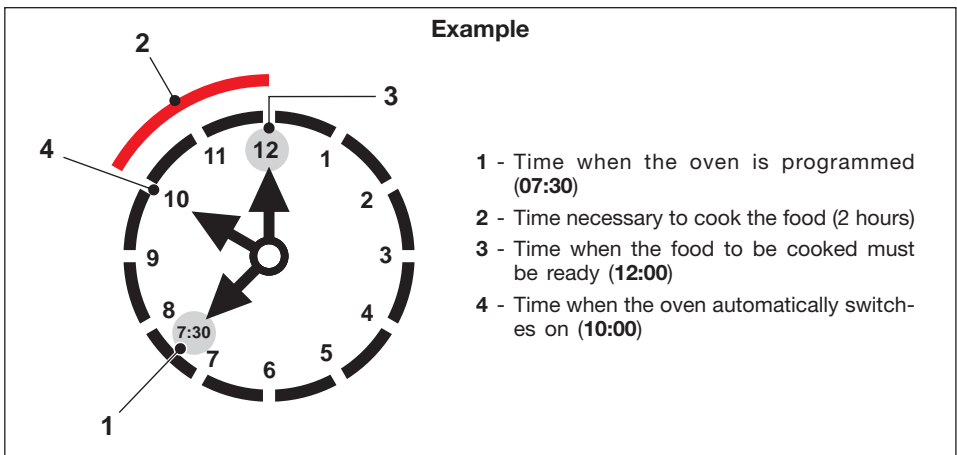
Press button "☀" (press two times if the oven lamp is not lit - first press lights only oven lamp) to display the duration of the cooking programme or the remaining duration of the cooking if the oven is already operating (countdown).

Press button "⌚" (press two times if the oven lamp is not lit - first press lights only oven lamp) to display the time when cooking has to be completed.

The cooking program can be cancelled at any time as indicated in the "CANCELLING A SET PROGRAMME" chapter.




CAUTION: after a black-out three zeroes "0:00" appear on the display. The semi-automatic cooking is cancelled.



END OF A PROGRAMMED SEMI-AUTOMATIC OR AUTOMATIC COOKING

At the end of the programmed semi-automatic or automatic cooking the oven switches off automatically the heating elements and the oven lamp.


An intermittent acoustic signal sounds and the “A” letter and “” symbol flash on the programmer display; the temperature display is deactivated.

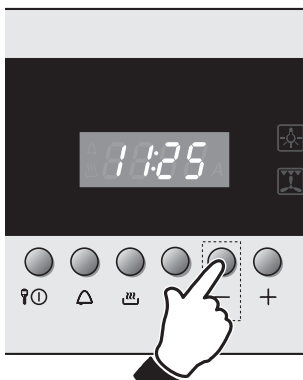
Press any pushbutton of the programmer [not ON/OFF] to stop the intermittent acoustic signal.

After pressing, the oven lamp lights (light mode) and the oven is ready to be used for a new manual or programmed cooking otherwise it can be switched off as indicated in the "OVEN PROGRAMMER ACTIVATION/DEACTIVATION" chapter.

AUDIBLE SIGNAL

You can choose from three variations.

To select press the “” button.



ABNORMAL SITUATIONS - ERROR CODES

In case of abnormal situations the oven is automatically switched off: only the cooling fan motor operates and on the programmer display, an error message code appears.

The oven is stalled.



If this condition disappears the oven returns in the stand-by (**OFF**) condition where the central programmer display is activated and the time is displayed.

If this condition does not disappear try to disconnect the oven from the mains and then reconnect.

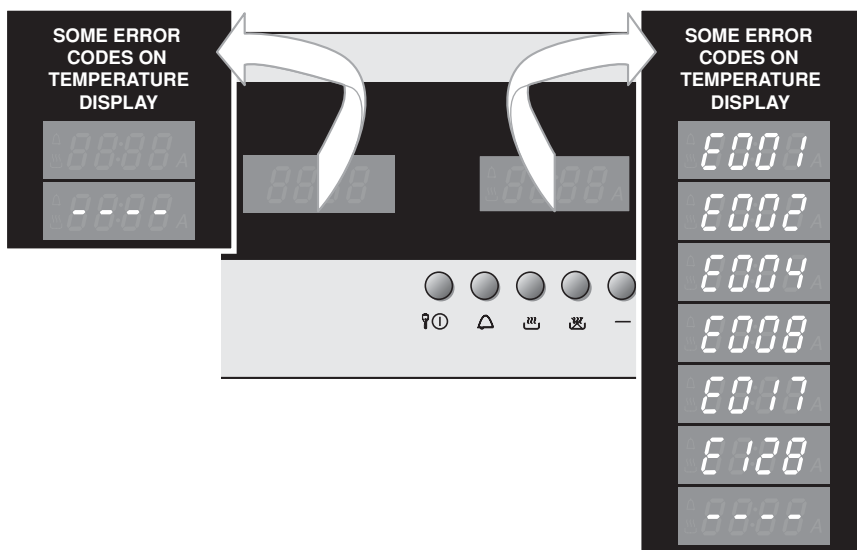
If the abnormal situation persists, disconnect the oven from the mains and contact the After-Sales Service.

IMPORTANT - "----" MESSAGE ON BOTH PROGRAMMER AND TEMPERATURE DISPLAYS

This indicates that the oven cavity is overheated. The oven is stalled and has to be activated as below:

- Open the oven door and let the cavity to cool.
- Press the two buttons “ ” simultaneously.
- Three zeroes “**0:00**” flash on the display; proceed as per first connection to the mains by setting the time of the day and then activating the oven programmer.

If this abnormal situation persists disconnect the oven from the mains and contact the After-Sales Service



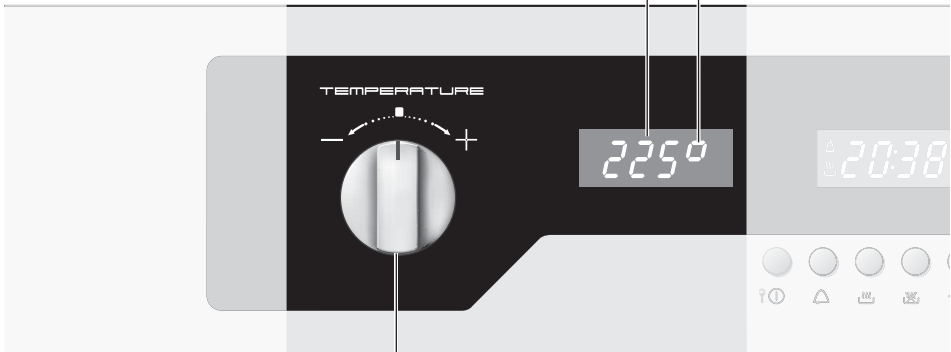
OVEN TEMPERATURE SELECTION AND REGULATION**" ° " (Celsius degrees) symbol**

When the symbol is flashing the oven is preheating.

When the symbol is permanently lit the oven is at temperature.

Cooking temperature

All cooking functions start to operate with a pre-set temperature which can be modified, at any time, by turning the digital control knob to the right (+) for increasing or to the left (-) for decreasing.

Fig. 5.1**Digital control knob****Temperature regulation**

By rotating the knob to the right (+) the oven temperature increases.

By rotating the knob to the left (-) the oven temperature decreases.

OVEN FUNCTION SELECTION AND REGULATION

Oven cooking functions

During selection of a cooking function the relative symbol is activated.

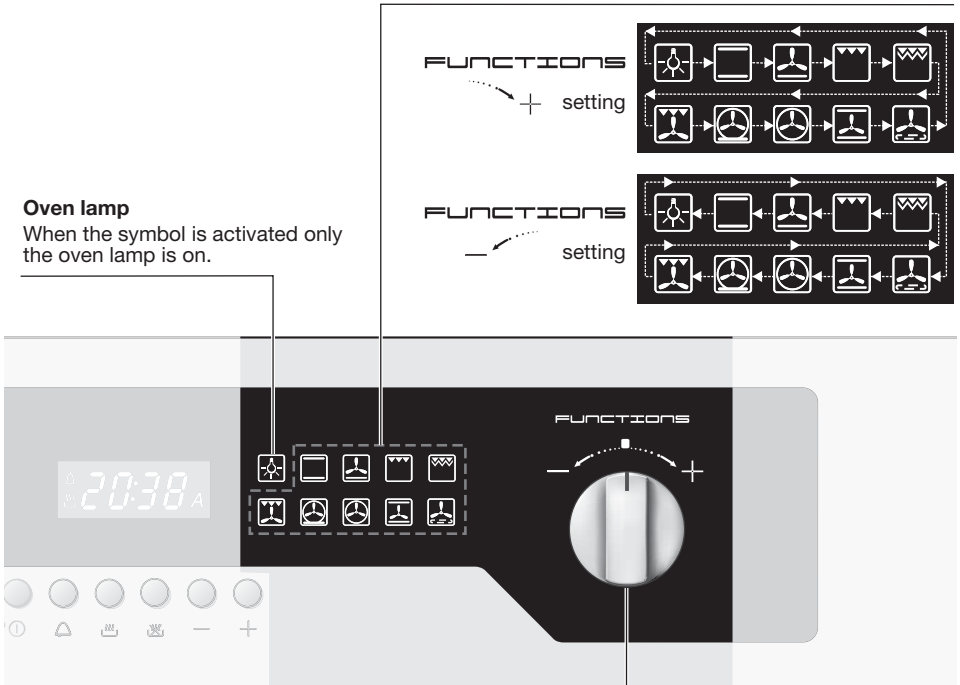


Fig. 5.2

Oven lamp

When the symbol is activated only the oven lamp is on.

Digital control knob

Function regulation

By rotating the knob to the right (+) the oven function increases.

By rotating the knob to the left (-) the ovenfunction decreases.

SETTING THE OVEN FUNCTION AND TEMPERATURE

Turn on the oven programmer as indicated in the "OVEN PROGRAMMER ACTIVATION/DEACTIVATION (ON/OFF)" chapter.

Select the oven function as indicated in the "OVEN FUNCTION SELECTION AND REGULATION" chapter.

Select the oven temperature as indicated in the "OVEN TEMPERATURE SELECTION AND REGULATION" chapter.

IMPORTANT: the cooking function and temperature can be modified at any time during the normal, semi-automatic or automatic cooking.

We suggest to set, in presence of children, the "Children Care" selection (see relative chapter).



OVEN LAMP

When the oven is turned on from the "stand-by" (OFF) mode the oven lamp lights up and the relative symbol is lit in the functions display. The lamp is always on in all the cooking modes.

If the appliance is not operated within 3 minutes the oven is automatically turned off in the "stand-by" mode.

During an automatic cooking program the lamp is off before the oven starts to operate. By pressing any pushbutton of the programmer (not ON/OFF) the lamp is lit for one minute; by pressing two times button "△", "☺" or "☹" the lamp is lit for a few seconds.



TRADITIONAL CONVECTION COOKING

The upper and lower heating elements switch on.

The heat is diffused by natural convection and the temperature must be set between 50 and 250°C.

This function starts cooking with a pre-heating temperature set at 200°C. To vary the temperature proceed as indicated in the "OVEN TEMPERATURE SELECTION AND REGULATION" chapter.

Recommended for:

For foods which require the same cooking temperature both internally and externally, i.e. roasts, spare ribs, meringue, etc.



FAN LOWER HEAT

The lower heating element and the fan motor switch on.

The heat coming from the bottom is diffused by forced convection and the temperature must be set between 50 and 250°C.

This function starts cooking with a pre-heating temperature set at 190°C. To vary the temperature proceed as indicated in the "OVEN TEMPERATURE SELECTION AND REGULATION" chapter.

Recommended for:

This mode is particularly suitable to complete cooking of dishes that require higher temperature at the bottom.



GRILLING

The infrared heating element switches on.

The heat is diffused by radiation. The temperature can be set between 50 and 250°C.

This function starts cooking with a pre-heating temperature set at 225°C. To vary the temperature proceed as indicated in the "OVEN TEMPERATURE SELECTION AND REGULATION" chapter.

Recommended for:

Intense grilling action for cooking with the broiler; browning, crisping, "au gratin", toasting, etc. For correct use see the "Grilling" chapter.

The external parts of the oven become hot during operation. Keep children well out of reach.



TURBO GRILL

In this position the upper heating element and the grill element are on simultaneously so that also the corner areas are heated. Heat is radiated over the entire surface area of the grill. The temperature can be set between 50 and 250°C.

This function starts cooking with a pre-heating temperature set at 225°C. To vary the temperature proceed as indicated in the "OVEN TEMPERATURE SELECTION AND REGULATION" chapter.

Recommended for:

Intense grilling action for cooking in the entire surface area with the broiler; browning, crisping, "au gratin", toasting, etc.

For correct use see the "Grilling" chapter.

The external parts of the oven become hot during operation. Keep children well out of reach.



VENTILATED GRILL COOKING

The infrared heating element and the fan switch on. The heat is mainly diffused by radiation and the fan distributes it in the whole oven.

The temperature can be set between 50 and 250°C.

This function starts cooking with a pre-heating temperature set at 175°C. To vary the temperature proceed as indicated in the "OVEN TEMPERATURE SELECTION AND REGULATION" chapter.

Recommended for:

For grill cooking when a fast outside browning is necessary to keep the juices in, i. e. veal steak, steak, hamburger, etc.

For correct use see the "Fan grilling" chapter.

The external parts of the oven become hot during operation. Keep children well out of reach.



HOT AIR COOKING WITH LOWER HEAT

This mode combines the lower heating element, the circular heating element and the fan. The food is cooked by forced air circulation with additional heat from the bottom of the oven. The temperature can be set between 50 and 250°C.

This function starts cooking with a pre-heating temperature set at 210°C. To vary the temperature proceed as indicated in the "OVEN TEMPERATURE SELECTION AND REGULATION" chapter.

Recommended for:

This cooking mode is ideal for large joints of meat and large quantities of food that call for uniform cooking inside and out, e.g. roasts, turkey, chicken, cakes, etc.



HOT AIR COOKING

The circular heating element and the fan switch on. The heat is diffused by forced convection and the temperature can be set between 50 and 250°C.

This function starts cooking with a pre-heating temperature set at 175°C. To vary the temperature proceed as indicated in the "OVEN TEMPERATURE SELECTION AND REGULATION" chapter.

Recommended for:

For foods that must be well done on the outside and tender or rare on the inside, i. e. lasagna, lamb, roast beef, whole fish, etc.



CONVECTION COOKING WITH FAN

The upper and lower heating elements and the fan switch on. The heat from the top and the bottom is diffused by fan convection. The temperature can be set between 50 and 250°C. This function starts cooking with a pre-heating temperature set at 175°C. To vary the temperature proceed as indicated in the "OVEN TEMPERATURE SELECTION AND REGULATION" chapter.

Recommended for:

For foods of large volume and quantity which require the same internal and external degree of cooking; e.g. rolled roasts, turkey, legs, cakes, etc.



DEFROSTING FROZEN FOODS OR FOOD WARMING

The fan and the lower heating element switch on. This function starts to operate in the defrosting mode (temperature display shows "DEF") at about 30°C. It is possible to vary the temperature as indicated in the "OVEN TEMPERATURE SELECTION AND REGULATION" chapter, from 40°C to maximum 100°C, and this function operates as a food warmer.


Recommended for:

To rapidly defrost frozen foods; 1 kilogram requires about one hour. The defrosting times vary according to the quantity and type of foods to be defrosted. To keep hot cooked foods at serving temperature.

COOKING ADVICE

STERILIZATION

Sterilization of foods to be conserved, in full and hermetically sealed jars, is done in the following way:

- a. Set the function .
- b. Set the temperature at 185 °C and preheat the oven.
- c. Fill the grill pan with hot water.
- d. Set the jars into the grill pan making sure they do not touch each other and the door and set the temperature at 135 °C.


When sterilization has begun, that is, when the contents of the jars start to bubble, turn off the oven and let cool.

REGENERATION

Set the  function and the temperature at 150° C.

Bread becomes fragrant again if wet with a few drops of water and put into the oven for about 10 minutes.

COOKING DIFFERENT DISHES AT THE SAME TIME

By setting the  or  functions the ventilated oven allows you to cook different types of food at the same time.

Fish, cakes and meat can be cooked together without the smells and flavours mixing.

The only precautions required are the following:

- The cooking temperatures must be as close as possible with a maximum difference of 20° - 25°C between the different foods.
- Different dishes must be placed in the oven at different times according to the cooking time required for each one. This type of cooking obviously provides a considerable saving on time and energy.

ROASTING

To obtain classical roasting, it is necessary to remember:

- that it is advisable to maintain a temperature between 180 and 200 °C.
- that the cooking time depends on the quantity and the type of foods.

USE OF THE GRILL AND TURBO GRILL

Set the  or  function and set the temperature **between 50°C and 200°C max.**

Leave to warm up for approximately 5 minutes with the door **closed**.


Introduce the food to be cooked, positioning the grill pan as close to the grill as possible.

Always grill with the oven door closed.

Grilling with the oven door closed and not for longer than 30 minutes at any one time.

Attention: the oven door becomes very hot during operation. Keep children away.

GRILLING AND "AU GRATIN"

Grilling may be done by selecting the function  because the hot air completely envelops the food that is to be cooked.

Set the temperature **between 50°C and 250°C max** and after having preheated the oven, simply place the food on the grid.

Close the door and let the oven operate until grilling is done.

Adding a few dabs of butter before the end of the cooking time gives the golden "au gratin" effect.

Grilling with the oven door closed.

It is recommended that you do not grill for longer than 30 minutes at any one time.

Attention: the oven door becomes very hot during operation. Keep children away.

GENERAL ADVICE

- Before you begin cleaning, you must ensure that the appliance is switched off.
- It is advisable to clean when the appliance is cold and especially when cleaning the enamelled parts.
- Avoid leaving alkaline or acidic substances (lemon juice, vinegar, etc.) on the surfaces.
- Avoid using cleaning products with a chlorine or acidic base.
- **Do not use a steam cleaner because the moisture can get into the appliance thus make it unsafe.**

Before any cleaning or maintenance operation, disconnect the oven from mains power supply.

INSIDE OF OVEN

- The oven must be always cleaned after every use, using suitable products and keeping in mind that its operation for 30 minutes on the highest temperature eliminates most grime reducing it to ashes.

ENAMELLED PARTS

- All of the enamelled parts must be washed only with a sponge and soapy water or with non-abrasive products.
- Dry, preferably, with chamois.

STAINLESS STEEL SURFACES WITH ANTI-FINGERPRINT TREATMENT

CAUTION:

- The stainless steel front surfaces used in this oven are protected with a Special Lacquer to reduce finger-print marks.
- To avoid damaging this lacquer, do not clean the stainless steel with abrasive cleaners or abrasive cloths or scouring pads.

ONLY SOAP/WARM WATER MUST BE USED TO CLEAN THE STAINLESS STEEL SURFACES.

Do not store flammable material in the oven.

STAINLESS STEEL AND ALUMINIUM PARTS AND SILK-SCREEN PRINTED SURFACES

- Clean using an appropriate product. Always dry thoroughly.

IMPORTANT: these parts must be cleaned very carefully to avoid scratching and abrasion. You are advised to use a soft cloth and neutral soap.

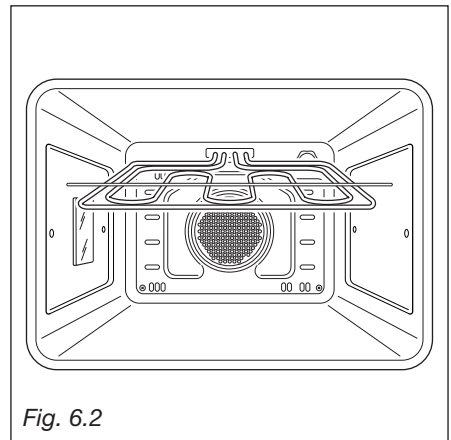
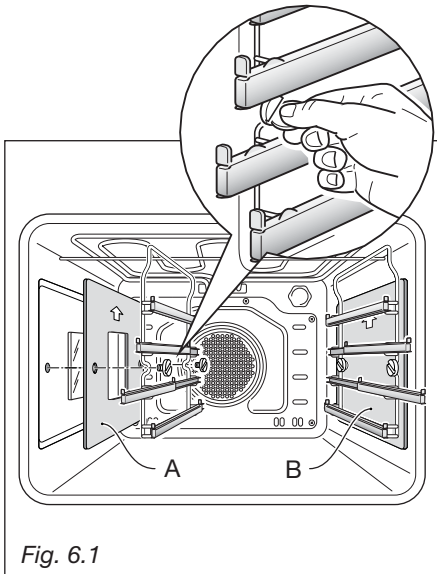
WARNING

When correctly installed, your product meets all safety requirements laid down for this type of product category.

However special care should be taken around the rear or the underneath of the appliance as these areas are not designed or intended to be touched and may contain sharp or rough edges, that may cause injury.

REMOVING AND REASSEMBLING THE SLIDING SHELVES AND THE CATALYTIC PANELS

- The sliding shelves and the catalytic panels can be removed easily by unscrewing the fixing screws and detaching them from the oven walls (fig. 6.1). Removing the sliding shelves improves access to the oven ceiling for cleaning (after the grill heating element has been lowered - fig. 6.2).
- Reassemble the sliding shelves on the oven walls using the 2 screws and interposing the catalytic panels **A** and **B** with the arrow up (fig. 6.1). The catalytic panel **A** with the hole for the side oven lamp must be positioned on the left oven wall. **DO NOT INTERPOSE THE CATALYTIC PANEL B ON THE LEFT OVEN WALL.**



ADVICE FOR USE AND MAINTENANCE OF CATALYTIC PANELS

The catalytic panels are covered with special microporous enamel which absorbs and does away with oil and fat splashes during normal baking over 200°C. If, after cooking very fatty foods, the panels remain dirty, operate the oven “idling” on max temperature for about 30 minutes.

These panels do not require to be cleaned, however it is advised to periodically remove them from the oven and to wash them with tepid soapy water and then wipe off with a soft cloth.

DO NOT CLEAN OR WASH THEM WITH ABRASIVE PRODUCTS OR WITH PRODUCTS CONTAINING ACIDS OR ALKALIS.

The side panels are reversible and when the catalytic microporous enamel degrades, they can be turned to the other side.

GRILL HEATING ELEMENT

- The heating element is self-cleaning and does not require maintenance. The grill is secured to the rear wall of the oven on a hinge system that allows it to be lowered to allow proper access when cleaning the oven ceiling (fig. 6.2).

GREASE FILTER

- **Clean the filter after any cooking!**

The grease filter can be removed for cleaning and should be washed regularly in hot soapy water (fig. 6.3).

- Always dry the filter properly before fitting it back into the oven.

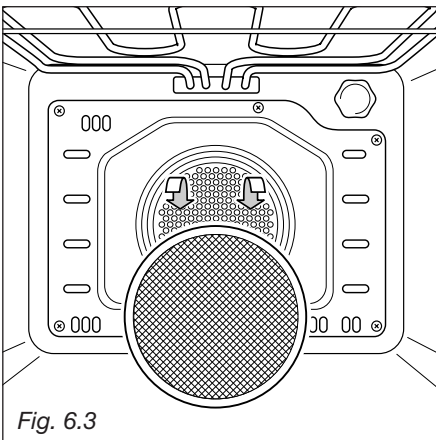


Fig. 6.3

REPLACING THE OVEN LAMP

WARNING: Ensure the appliance is switched off before replacing the lamp to avoid the possibility of electric shock.

- Let the oven cavity and the heating elements to cool down;
- Switch off the electrical supply;

LEFT LAMP:

- Remove the left sliding shelf and the side catalytic panel by unscrewing the fixing screws (see chapter REMOVING AND REASSEMBLING THE SLIDING SHELVES AND THE CATALYTIC PANELS at page 37).
- Press down from the top the protective cover **A** (fig. 6.4) and remove it by rotating on the lower side. **IMPORTANT:** never use screwdrivers or other utensils to remove the cover **A**. This could damage the enamel of the oven or the lampholder. Operate only by hands.
- Unscrew and replace the bulb **B** with a new one suitable for high temperatures (300°C) having the following specifications: 230-240V 50 Hz, 25W, E14.
- Refit the protective cover **A** operating in reverse order. **ATTENTION:** the notch in the inner edge of the cover must be oriented toward the lamp.
- Assemble the side catalytic panel and the left sliding shelf.

TOP RIGHT LAMP:

- Remove the protective cover **C** (fig. 6.4);
- Unscrew and replace the bulb **B** with a new one suitable for high temperatures (300°C) having the following specifications: 230-240V 50 Hz, 25W, E14
- Refit the protective cover;

NOTE: Oven bulb replacement is not covered by your guarantee.

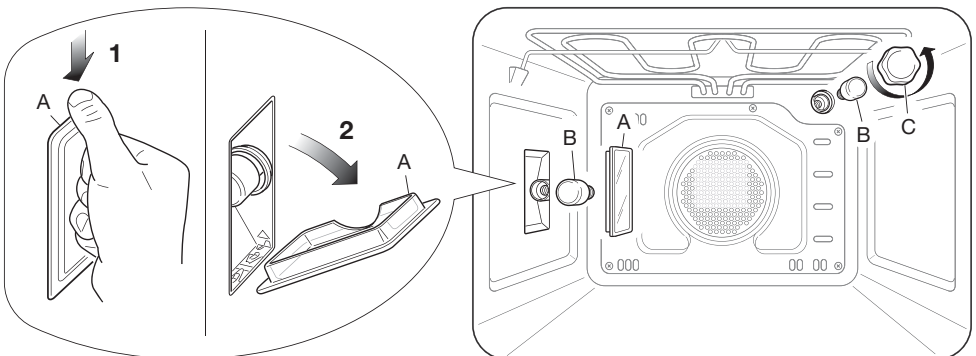


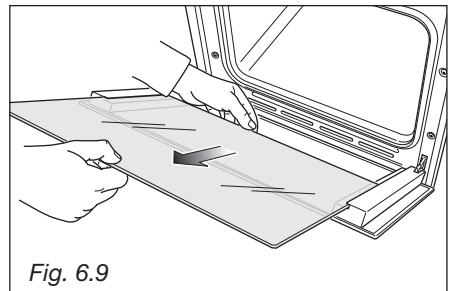
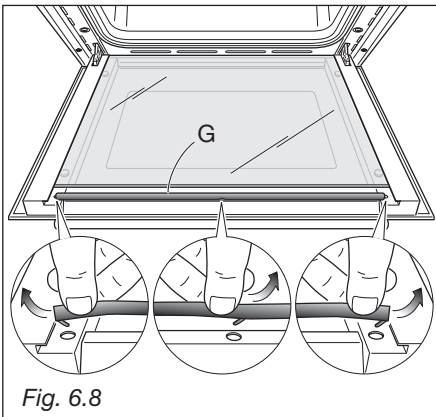
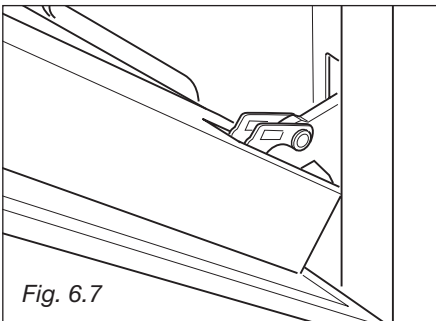
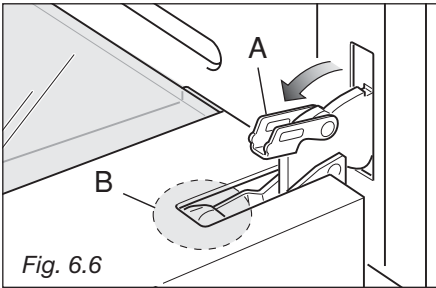
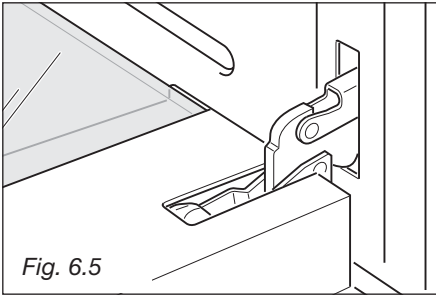
Fig. 6.4

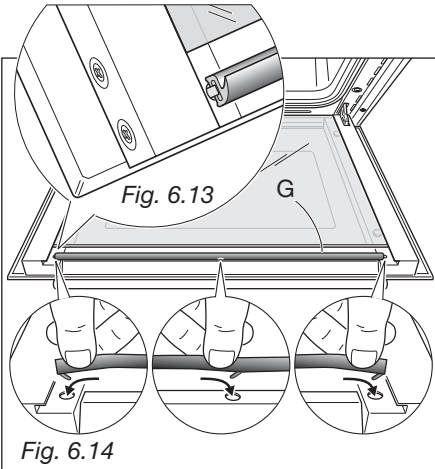
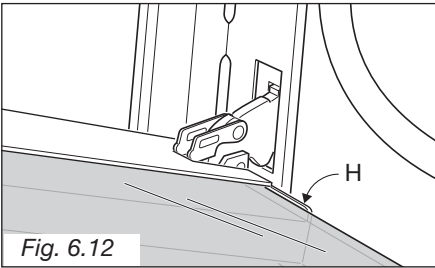
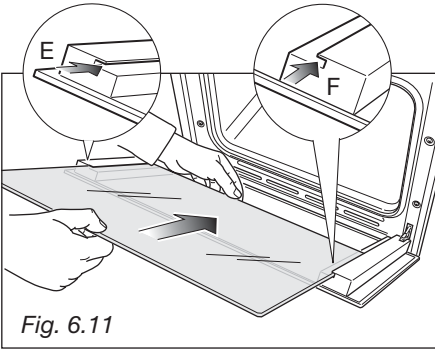
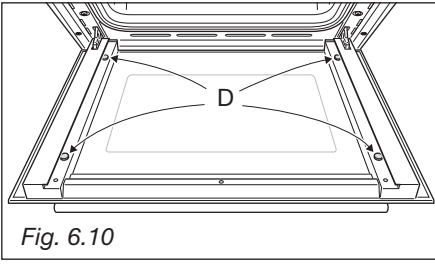
CLEANING THE INNER GLASS OF THE OVEN DOOR

REMOVING THE INNER GLASS

To clean the inner glass of the oven door on both sides operate as follows:

- Open the door to the full extent (fig. 6.5).
- Open the lever "A" completely on the left and right hinges (fig. 6.6).
- Gently close the door (fig. 6.7) until left and right hinge levers "A" are hooked to part "B" of the door (fig. 6.6).
- Remove the seal "G" by unhooking the no. 3 (three) fixing hooks (fig. 6.8).
- Gently withdraw the inner glass (fig. 6.9) and clean it using an appropriate product. Always dry thoroughly.

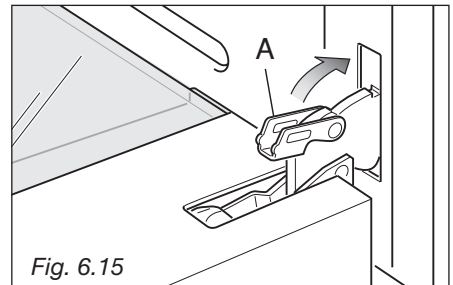




REASSEMBLING THE INNER GLASS

To reassemble the inner glass of the oven door operate as follows:

- Check the correct positioning of the no. 4 (four) silicon rubbers “D” (fig. 6.10).
- Insert the inner glass in the left “E” and right “F” side guides (fig. 6.11) and gently let it slide up to the retainers “H” (fig. 6.12).
- Reassemble the seal “G” in the correct way (fig. 6.13) by hooking the no. 3 (three) fixing hooks in the proper holes (fig. 6.14).
- Open completely the oven door and close the lever “A” on the left and right hinges (fig. 6.15).



REMOVING THE OVEN DOOR

The oven door can easily be removed as follows:

- Open the door to the full extent (fig. 6.16a).
- Open the lever **A** completely on the left and right hinges (fig. 6.16b).
- Hold the door as shown in fig. 6.16.
- Gently close the door (fig. 6.16c) until left and right hinge levers **A** are hooked to part **B** of the door (fig. 6.16b).
- Withdraw the hinge hooks from their location following arrow **C** (fig. 6.16d).
- Rest the door on a soft surface.
- To replace the door, repeat the above steps in reverse order.

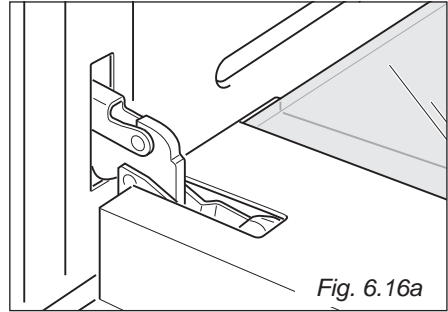


Fig. 6.16a

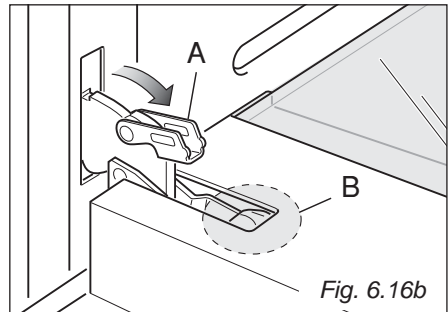


Fig. 6.16b

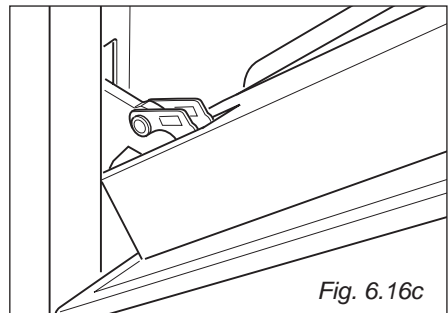


Fig. 6.16c

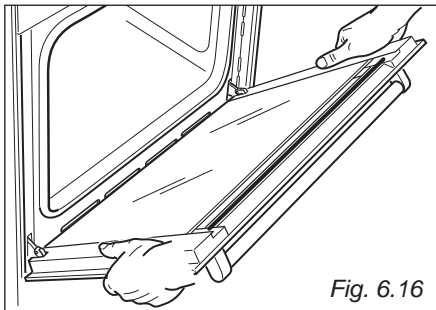


Fig. 6.16

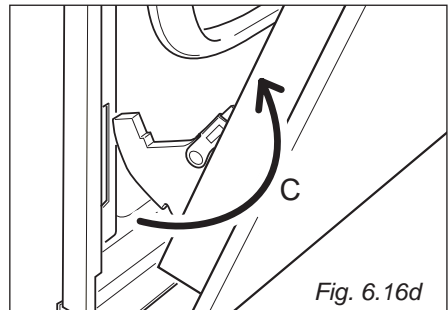


Fig. 6.16d

TROUBLESHOOTING:

If you experience a problem with your oven, check the following points before calling our Customer Service Centre for assistance.

1. The power is switched on.
2. The controls are switched on.
3. None semi-automatic or automatic cooking program has been selected.
4. Both the fuse and the mains fuse are intact.

Should you still require assistance please contact our Customer Service Centre for your nearest Authorised Delonghi Service Agent.



Living innovation

Cod. 1102802 - B4